

MODELS:

UHX-150W-MP-50K, UHX-150W-MCTP, UHX-150W-MCTP-WH;

UHX-230W-MP-50K, UHX-230W-MCTP, UHX-230W-MCTP-WH ;

UHX-300W-MP-50K

(Model description: MP =Multi Power; MCTP = Multi Color Temperaturer Power; WH = White housing)

WARNINGS

- ◆ Observe all precautions usually followed when dealing with high voltage equipment when installing or servicing this light fixture.
- ◆ Disconnect power before installing or servicing.
- ◆ The product must be installed in accordance with the applicable installation code by a person familiar with the construction and operation of the product and the hazards involved.
- ◆ Protect all wiring connections with approved insulators rated 600V/150°C.
- ◆ Line voltage must be 100V–277V/277V-480V50/60Hz according to the different models to select the corresponding voltage.
- ◆ **SAVE THESE INSTRUCTIONS FOR FUTURE REFERENCE**
- ◆ Upon receipt of this fixture, thoroughly inspect it for any damage. If any is found, the carrier should be notified and held accountable.

Model number parameter list:

Item	Model	Input Voltage	Power Factor	Watts	Input Current		
A	UHX-150W-MP-50K	100-277VAC	>0.9	50W	1.8A		
	UHX-150W-MCTP			80W			
	UHX-150W-MCTP-WH			100W 150W			
B	UHX-230W-MP-50K			100-277VAC	>0.9	100W	3.5A
	UHX-230W-MCTP					150W 200W 230W	
	UHX-230W-MCTP-WH						
C	UHX-300W-MP-50K			150W 200W 240W 300W	3.5A		



Installation Steps:

I. Hook/Ring mount

1. Find the accessories as Fig. 1 shows from bags. (Hook: Hook the middle hole to ensure seal)
2. Install the hook/ring on fixture. See Fig. 2.
3. Hang/Ring the fixture on suitable mounting place. See Fig. 3.
4. Wiring connection:

DCCT

Connect wires into wiring terminal; White wire to “Neutral” terminal, Black to “Live” terminal, green wire to “Ground” terminal. See Fig. 11.

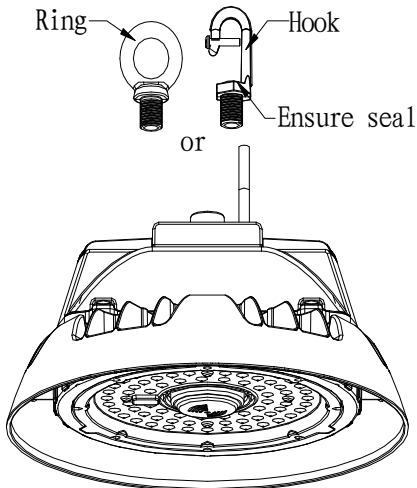


Fig. 1

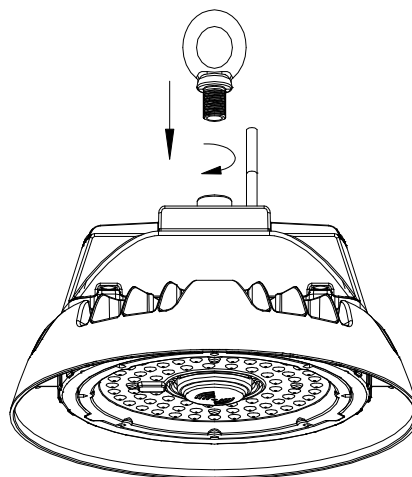


Fig. 2

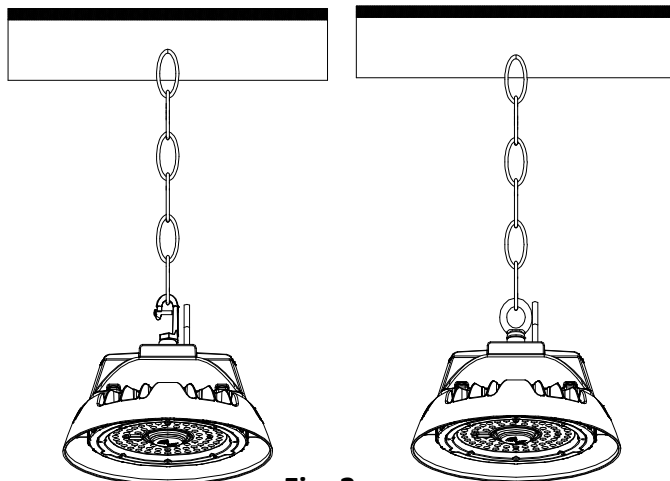
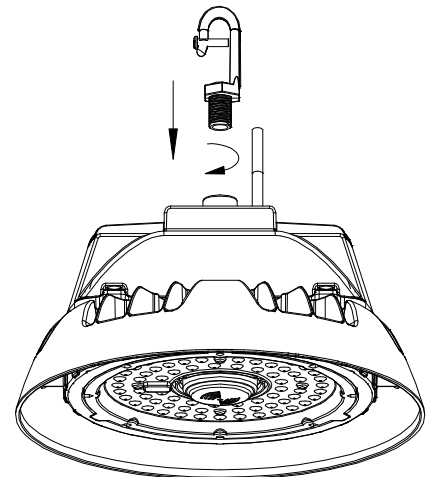


Fig. 3

II. Yoke mount

1. Find the screws and washers as Fig. 4 shows from accessory bags.
2. Install the yoke to the fixture. See Fig. 5.
3. Fix the fixture on mounting surface. See Fig. 6.
4. Wiring connection:

Connect wires into wiring terminal; White wire to “Neutral” terminal, Black to “Line” terminal, green wire to “Ground” terminal. See Fig. 12.

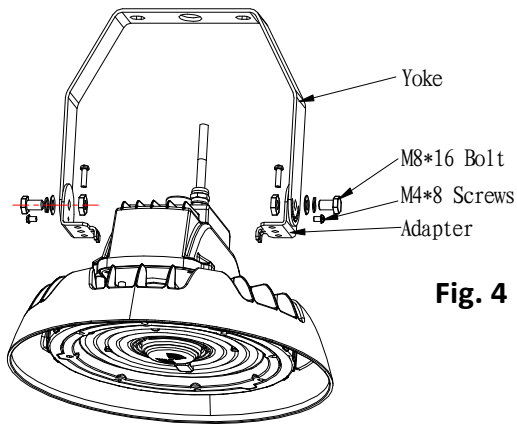


Fig. 4

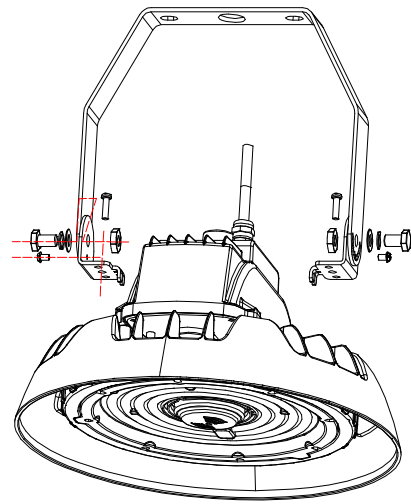


Fig. 5

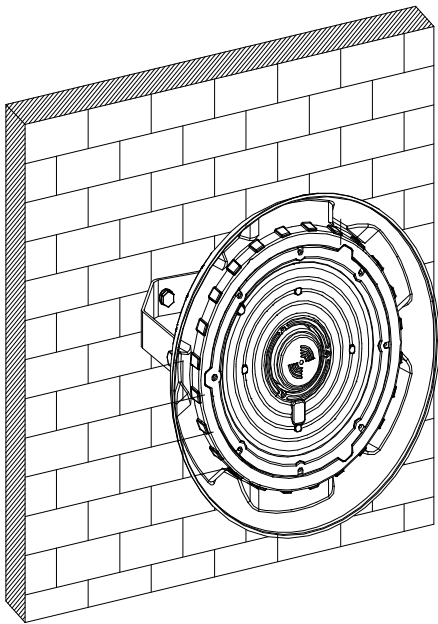
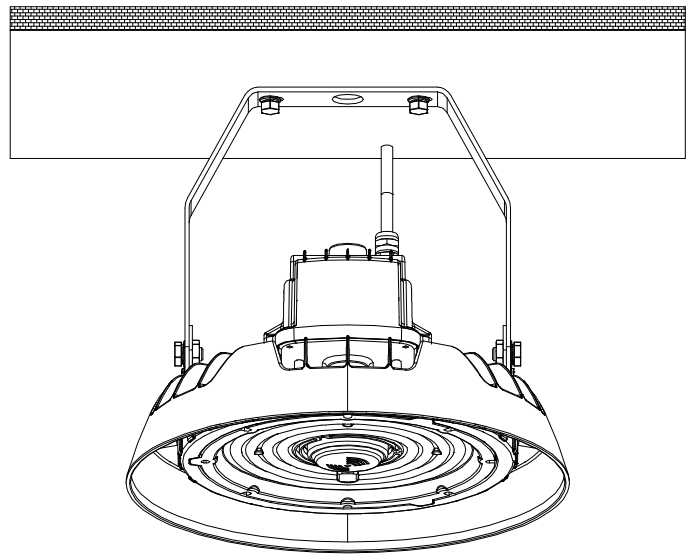


Fig. 6



III. Pipe Mount

1. Find the 3/4" NPS adapter from accessory bag as Fig. 7 shows (Pipe is not provided. Please choose a proper pipe with 3/4" NPS thread), install the 3/4" adapter on fixture. See Fig. 8.

2. Screw one side of the pipe into the 3/4" NPS adapter, secure another side to the of mounting position. See Fig.9

3. Wiring connection:

Connect wires into wiring terminal; White wire to "Neutral" terminal, Black to "Line" terminal, green wire to "Ground" terminal. See Fig. 12.

3/4" NPS Adaptor

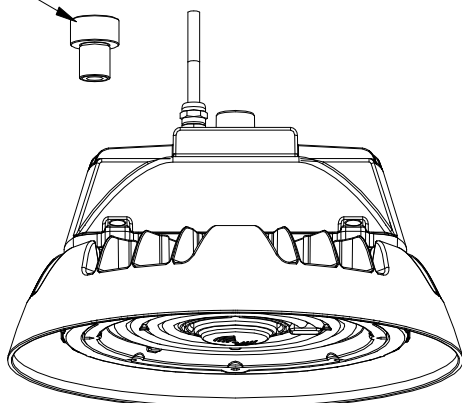


Fig. 7

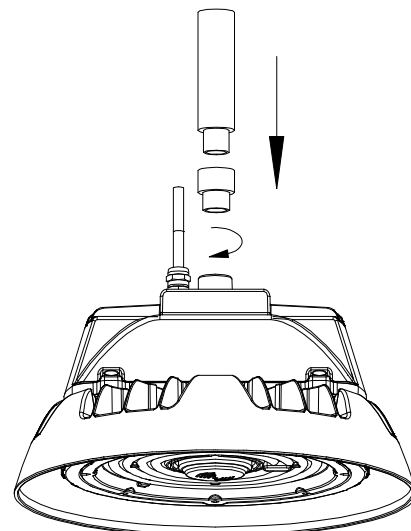


Fig. 8

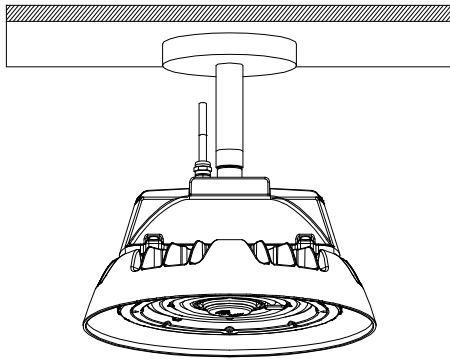


Fig. 9

Reflector installation:

1. M4*8 (3PCS) screws are already installed on the front of fixture, reserved a space for reflector (sold separately). HBN150W needs the metal plate adapter, fix the adapter to the lamp with 3 pieces of M4*8 screws, then using 3 pieces of M4*8 screws to fasten the reflector.)
2. Put the reflector on fixture, let the screws through the slots on reflector. Twist the reflector to block it and tighten the screws. See Fig. 10
3. If a bottom cover (sold separately) needed, fix it on the bottom by 3 screws (provided with the bottom cover).

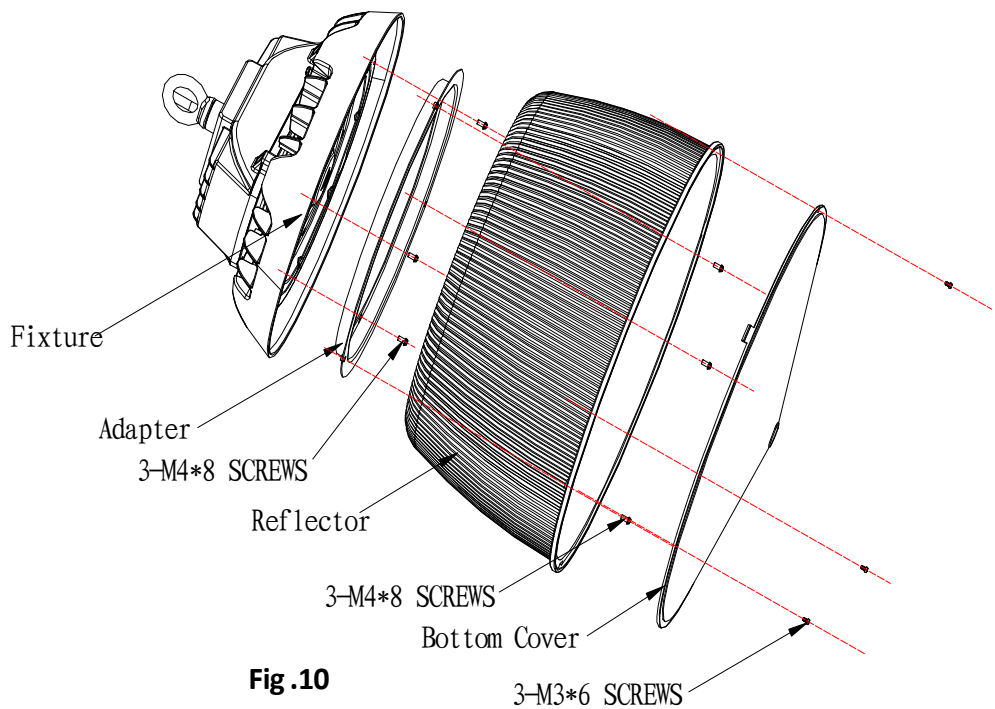


Fig.10

IV Function description of Wattage Tunable:

If the luminaire is designed to be wattage tunable. Please unscrew the knob cap before using the watt selectable function. According to the watt selectable label shown in Fig. 11, please toggle the DIP switch 1,2,3 to select the corresponding watt. Screw the knob cap after using the watt selectable function.

V CCT Tunable Function:

If you need to adjust the color temperature, please loosen the waterproof cap, rotate the CCT tunable knob to select the corresponding CCT, and tighten the knob cap after debugging. Pls see Figure 11 for details

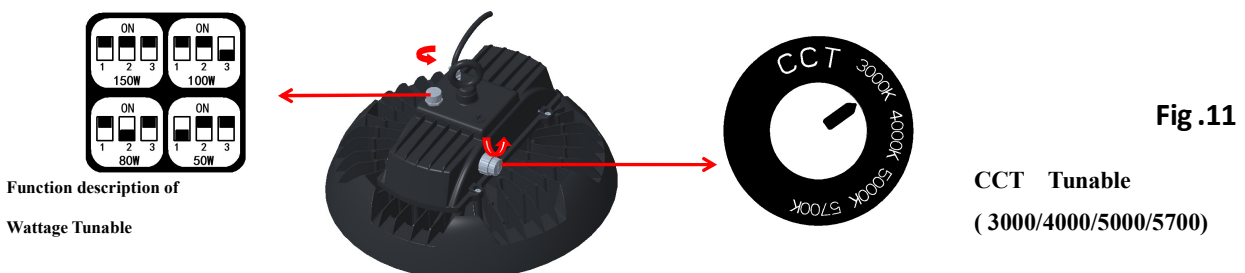
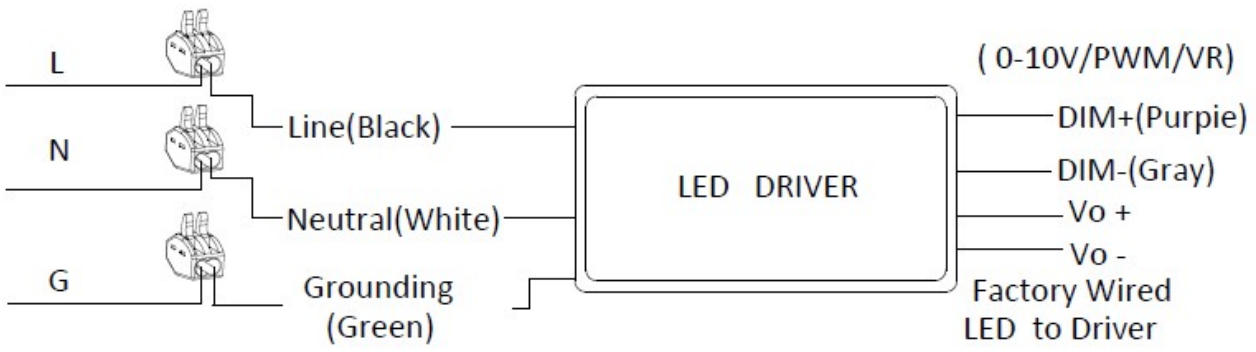


Fig.11

CCT Tunable
(3000/4000/5000/5700)

Wiring Diagrams:

Without sensor



With sensor

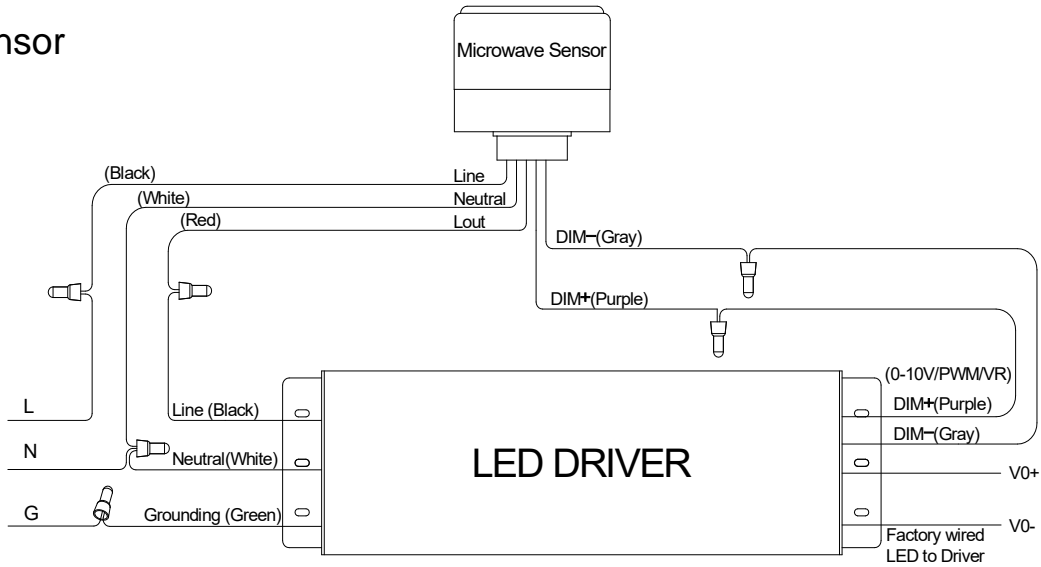
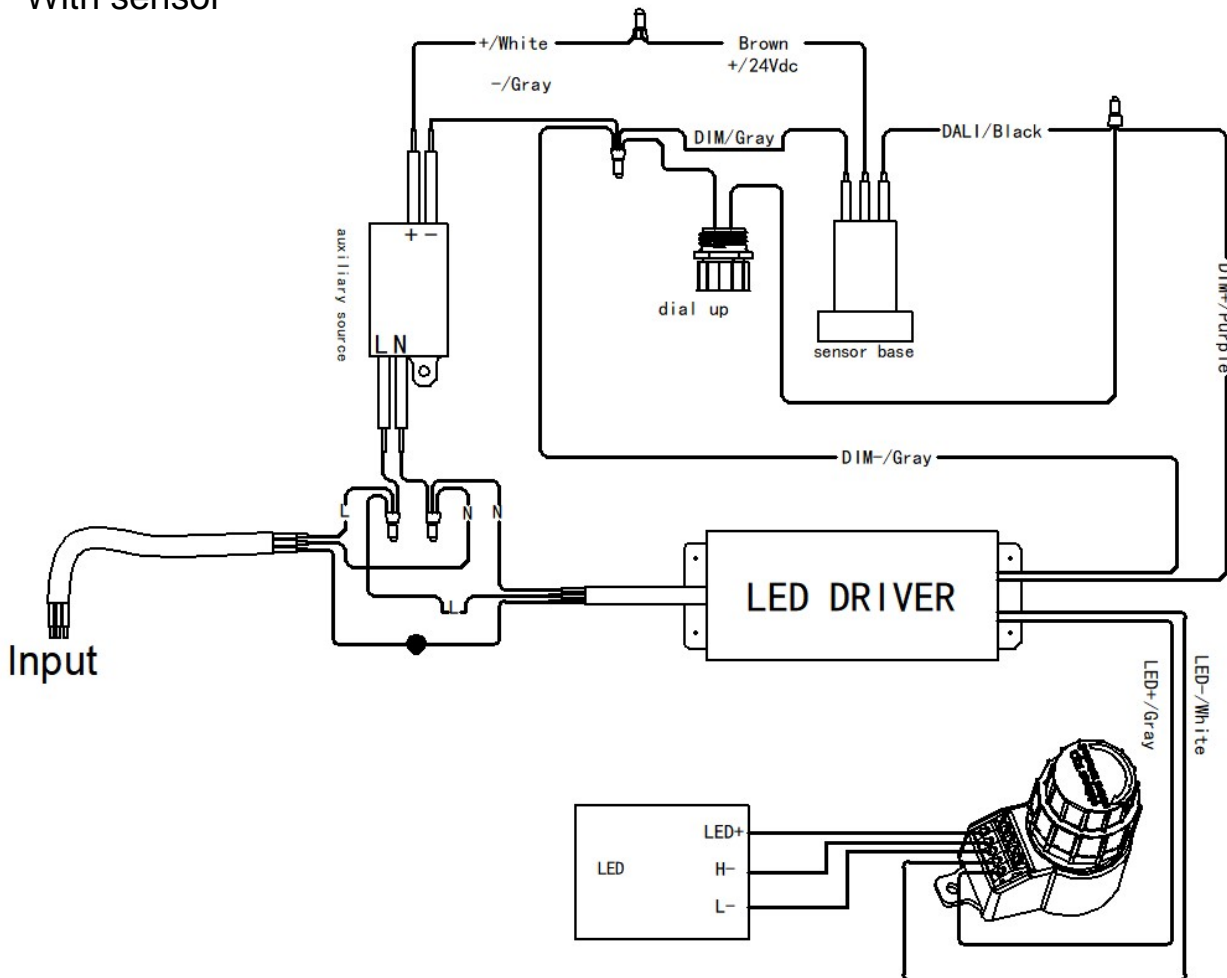


Fig .12

With sensor



After installation, please.

- Check whether the lighting fixture is firmly fixed.
- Check whether wires are connected correctly.

At last, turn on the power, and check if the lighting fixture works well. If not, please turn off the power and contact with your sales representative.